






Celia New Shower Rail

Finish & SKU

 Chrome NR316CH	 Brushed Nickel NR316BN
 Matte Black NR316MB	 Brushed Gold NR316BG
 Gun Metal NR316GM	



Specifications

Watermark License

WM-060093

Temperature Rating

Min 1°C-Max 75°C

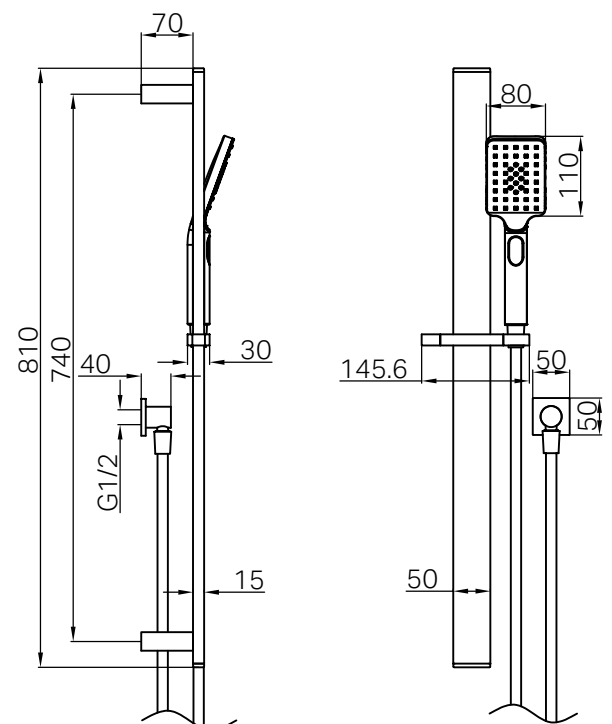
Pressure Rating

Min 150kpa-Max 500kpa



Features

- High quality solid metal rail
- 3 function handset
- Exposure square rail Strong and durable flexible hose
- Height adjustable handset slider



Maintenance And Care

- Regularly check the mixer and connections for signs of wear or leaks.
- Clean the tap with mild soapy water to maintain its appearance, avoiding harsh chemicals and abrasive materials that may damage the finish.

- Dimensions are nominal measurements only.